

SGG BIOCLEAN®

Installation and maintenance instructions for window-makers and installers.

SGG BIOCLEAN has been specially designed to remain cleaner for longer than conventional glass. A transparent coating on the external surface of the glass harnesses the power of ultra-violet rays and the rain to break down dirt and grime then wash it clean away.

The coating is totally integrated into the surface of the glass and is highly durable. However, as with all coated glass, certain guidelines must be followed to ensure correct installation and proper maintenance of SGG BIOCLEAN.

The instructions below must be followed carefully in order to maintain the special properties of this glass.

Receipt of glass

- SGG BIOCLEAN is delivered with a special label affixed to the coated surface. This label must remain attached until it is received on site. It should then be carefully removed at first clean-down.

Storage

- As with all coated glasses, SGG BIOCLEAN must be stored in a clean, dry, ventilated area, protected from any extreme variations in temperature and humidity.
- Keep the product away from confined areas where there is an obvious presence of silicone or sealant vapours.

Handling/Equipment

- Avoid all contact or friction with sharp, metal or abrasive objects which may scratch the special coating (e.g. belt buckles, Stanley knives, razors).
- Avoid contamination from hands which have been in direct contact with silicone.
- Use clean, dry, cloth safety gloves. Avoid those with rubber or silicone grips.
- Hand held or machine suckers must be in a good condition, clean and completely silicone-free. In order to ensure their cleanliness, protective covers are available.

Assembly into a frame

- Always position the coated surface facing outward to the exterior. The coated face can be identified by the presence of a special SGG BIOCLEAN label.
- Avoid all contact with linseed oil and silicones during assembly and installation (including setting blocks, grease or silicone sealants, adhesives, glues, lubricants).
- Glazing tapes used in timber frames should not be capped with silicone.

Gaskets

- The use of pre-formed or dry gaskets (such as EPDM gaskets) is recommended with this product.
- Limit contact between the gasket and the glass to the precise area necessary.
- Glazing gaskets must not be lubricated with silicone oil.

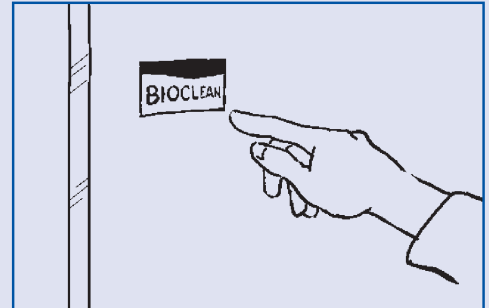
Sealants

The use of silicone sealants must be avoided

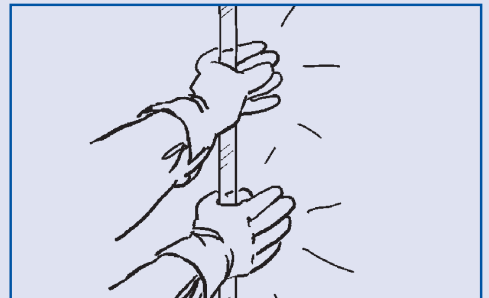
- Where possible avoid all use of polymerisable mastics as they release a number of oils which diminish the efficiency of SGG BIOCLEAN especially around the edges.
- Avoid all use of linseed oil mastics or putties.

A comprehensive list of compatible sealants and gaskets is available from our marketing department or visit our website www.saint-gobain-glass.com/bioclean

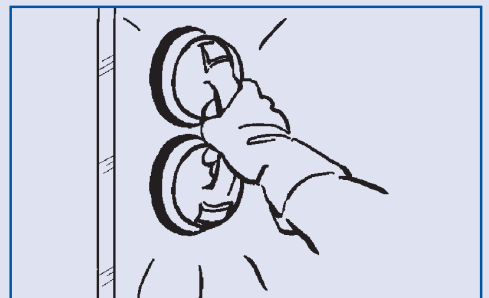
Document B2



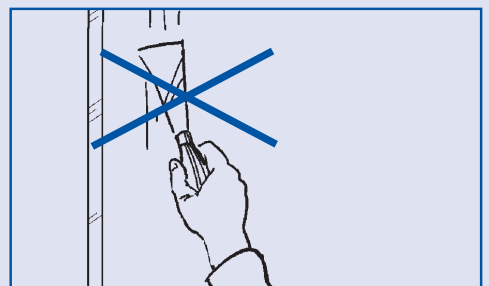
SGG BIOCLEAN has a special label which identifies the coated face.



Use clean, dry safety gloves to handle BIOCLEAN. Avoid those with a rubber or silicone grip.



Ensure that hand-held suckers are clean and in a good condition.



Avoid all contact between the glass and metal or abrasive objects.

On-site installation

Protection: If any other works are taking place in the vicinity of SGG BIOCLEAR then protect with a clean sheet to prevent any splashes or staining from aggressive compounds (paint, varnish, glue, sealant, cement, plaster, mortar, etc). This will also protect the product from abrasive or hot particles (grinding or welding sparks, etc).

Sealants: The use of an MS Polymer based sealant is recommended.

Lead flashing: Where lead flashing is adjacent to the glass, staining can occur from carbonate run-off. This should be minimised by using a suitable patination product whilst the lead flashing is still new.

First clean-down: Where polymerisable sealants have been used wait until the full polymerisation has occurred before cleaning the SGG BIOCLEAR coating. After carefully peeling off the special label, start with a rinse down of the coated face and complete with a normal maintenance routine (see below).

Self-cleaning function: In the days after the installation and the first clean-down of the product, the special SGG BIOCLEAR coating will be progressively activated by rays from the sun. Water will sheet off the surface of the glass without forming droplets. This initial UV generation of the coating can vary according to the season and the orientation of the glazing.

Maintenance routine

SGG BIOCLEAR has a special property which means that the glass stays cleaner for longer than normal glass. The more exposure the product has to both sun and rain, the cleaner it will stay, for longer. A number of other factors affect the time it takes for a mark to be naturally removed; the level of ambient pollution, atmospheric conditions (e.g. long periods without rain, ...) etc.

SGG BIOCLEAR is not a 'maintenance-free' product. Should the glass require occasional cleaning carefully follow these instructions:

Cleaning equipment

All cleaning equipment must be kept clean. This is to prevent any dirt or abrasive particles transferring from the equipment back onto the glass which may scratch or damage the coating.

- A soft, clean lint-free cloth or chamois leather
- or a clean, soft non-abrasive sponge
- or a clean, non-metal window squeegee

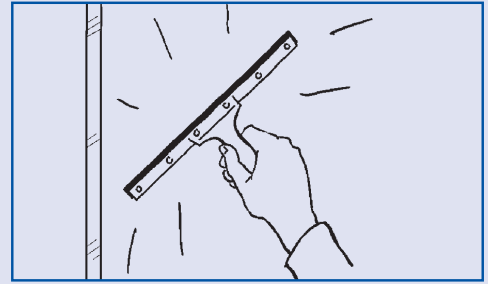
Cleaning products

- Clean water will normally suffice. Standard, mild glass-cleaning products can also be used.
- 'Soft' water is best for cleaning glass. In hard-water areas a small amount of washing-up liquid can be used to soften water.

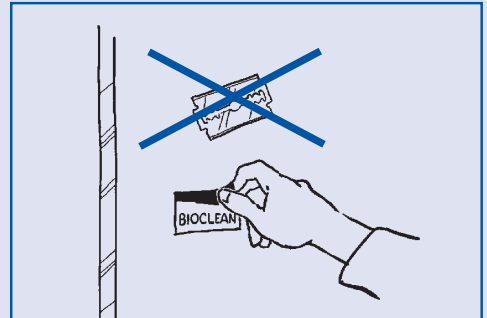
Important

- Do not use any glass treatment products containing silicones or abrasive particles.
- Do not use any commercial cleaning products which are intended specifically for cleaning elements other than glass.
- Do not use chemical products: soda, bleach, washing powder, white spirit.
- Avoid bringing the surface of the glass into contact with sharp or abrasive objects including jewellery, buckles, tape measures, razor blades, Stanley knives, scouring pads, steel wool, sandpaper.
- Never attempt to clean off a specific mark on the surface of SGG BIOCLEAR without first applying water.

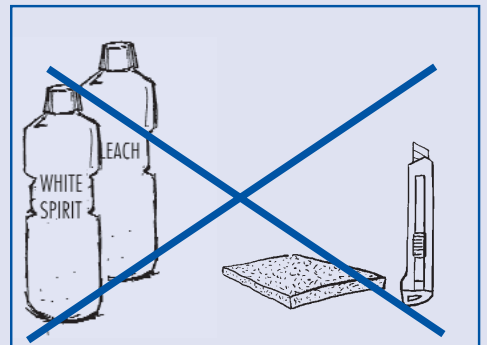
Ensure that the customer has been given a copy of 'Document B1' which provides guidelines on the maintenance of the SGG BIOCLEAR product.



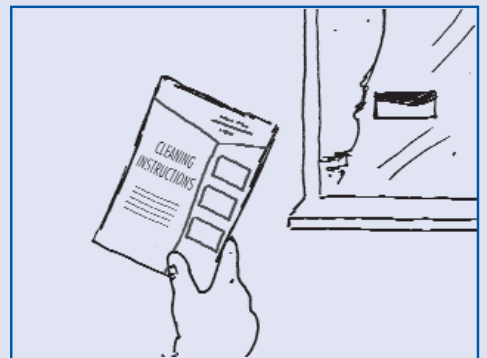
A clean, non-silicone window squeegee can be used.



Carefully peel off the BIOCLEAR label during the first clean-down after installation.



Avoid all use of aggressive or chemical compounds and abrasive equipment/tools.



Saint-Gobain Glass UK Limited
Marketing Department
Weeland Road, Eggborough
East Riding of Yorkshire, DN14 0FD
Tel: 01977 666 100
Fax: 01977 666 200

www.saint-gobain-glass.com/bioclear

Distributor